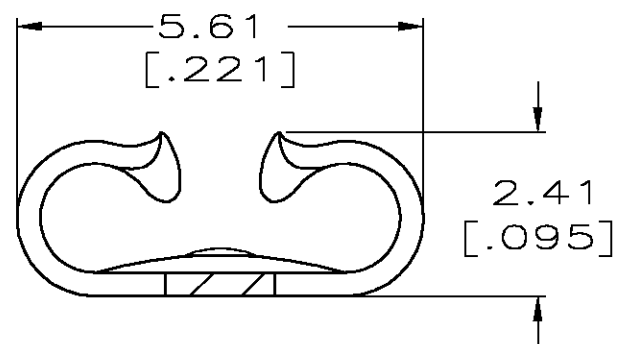
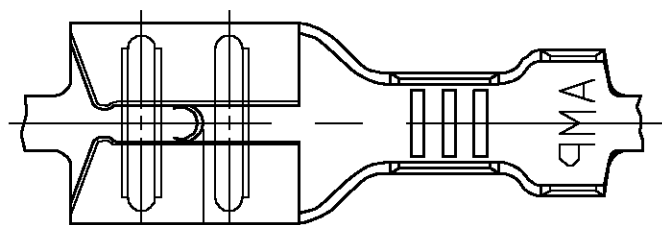
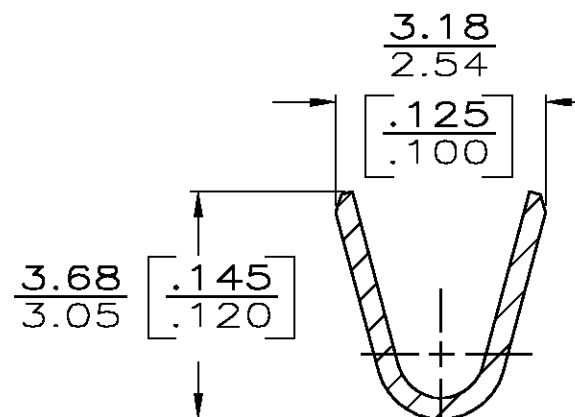
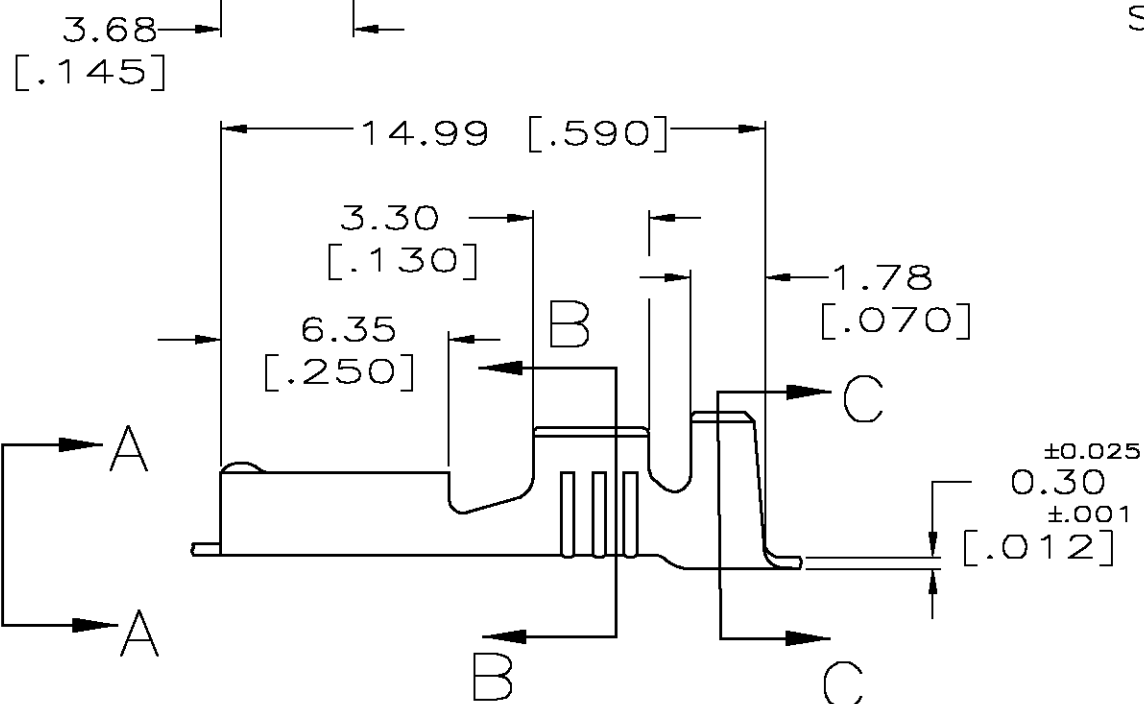


LOC	DIST	REVISIONS			
P	LTR	DESCRIPTION	DATE	DWN	APVD
AF	50	P	REV PER 0G3A-0144-03	11MAR03	JR PD

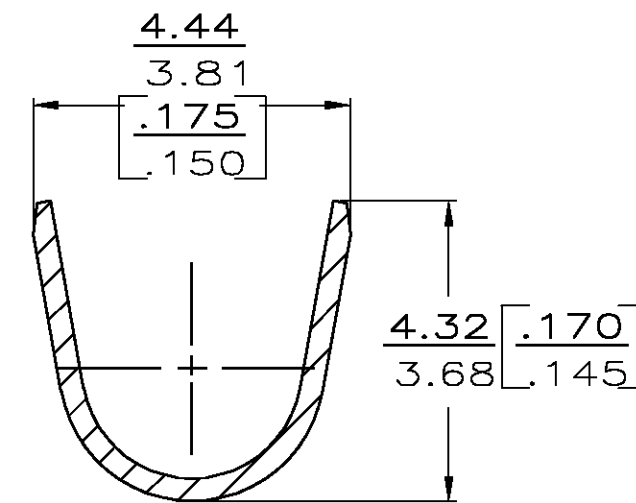
- CONTINUOUS STRIP ON REELS.
- MATING TAB THK IS  $0.81 \pm 0.025$   $[\.032 \pm .001]$ .
- WIRE SIZE IS [20-16] AWG.
- INSULATION RANGE IS 2.29-3.30  $[\.090-.130]$  DIA.



VIEW A-A  
SCALE 10:1



SECTION B-B  
SCALE 10:1



SECTION C-C  
SCALE 10:1

60196-3	0.002032 $[\.000080]$ MIN TIN	60196-2
-	-	60196-1
LOOSE PIECE	FINISH	PART NO

THIS DRAWING IS A CONTROLLED DOCUMENT.		DWN	JR RUTH	8/27/91	 Tyco Electronics Corporation Harrisburg, PA 17105
DIMENSIONS: INCHES		CHK	P FORTNEY	8/27/91	
		APVD	C MEYERS	8/27/91	
TOLERANCES UNLESS OTHERWISE SPECIFIED:		PRODUCT SPEC		NAME	
0 PLC ± - 1 PLC ± - 2 PLC ± 0.38 $[\.015]$ 3 PLC ± - 4 PLC ± - ANGLES ± -		APPLICATION SPEC		RECEPTACLE, FASTON, 4.75 $[\.187]$ SERIES	
MATERIAL #4H BRASS		FINISH SEE TABLE		WEIGHT -	
		CUSTOMER DRAWING		SIZE	A3
				CAGE CODE	00779
				DRAWING NO	60196
				RESTRICTED TO	-
				SCALE	5:1
				SHEET	1 OF 1
				REV	P